

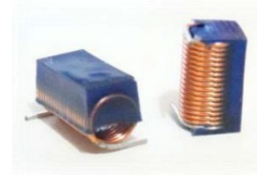
MFL132 Series

Features :

- Large Current and Low DCR , Current rate up to 3.5 Amp
- High Q value
- Inductance values from 22nH to 520nH

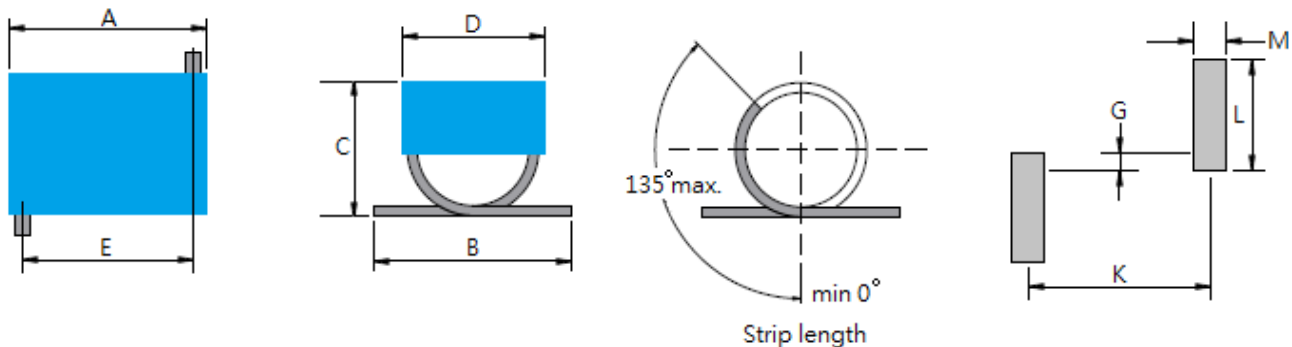
Applications :

- Notebook DC/DC Converter, Handheld device
- EMI / EMC Suppressor , TV , Monitor , Electronics products etc.
- Computer Devices , Communication equipment.
- Mobile Charger, etc.



Shapes And Dimensions : (Unit :mm)

Type	A	B	C	D	E	G	M	K	L
MFL132	10.2 max	6.6 max	5.9max	6.45max	8.0±0.5	2.42	2.05	8	4.72



Standard electrical specifications :

Prat Number	Inductance ±5% (nH)	Test Frequency	Q Value (min.)	SRF (min.)	DCR (max.)	Irms (A)
MFL132-90NJ	90	50MHZ	90	1.10MHz	16mΩ	3.4
MFL132-R11J	111	50MHZ	85	1.00MHz	16mΩ	3.4
MFL132-R13J	130	50MHZ	85	0.88MHz	20mΩ	3.0
MFL132-R16J	169	50MHZ	92	0.86MHz	26mΩ	3.0
MFL132-R20J	206	50MHZ	92	0.78MHz	30mΩ	3.0
MFL132-R22J	222	50MHZ	90	0.71MHz	36mΩ	3.0
MFL132-R25J	246	50MHZ	92	0.66MHz	36mΩ	3.0
MFL132-R30J	307	50MHZ	92	0.64MHz	36mΩ	3.0
MFL132-R38J	380	50MHZ	92	0.57MHz	50mΩ	2.5
MFL132-R42J	422	50MHZ	92	0.52MHz	60mΩ	2.5
MFL132-R49J	491	50MHZ	92	0.51MHz	66mΩ	2.0
MFL132-R53J	538	50MHZ	85	0.47MHz	92mΩ	2.0

Ambient temperature :

- Storage temperature: -25°C to +85°C
- Operating ambient temperature: -20°C to +80°C
- (Range is application specific).
- Solder reflow temperature: 260°C max. for 10 seconds max.

Technical Data : @25°C

- Q measured at 400MHz using an Agilent/HP 4291A impedance analyzer
- SRF measured using an Agilent/ HP 8753D network analyzer
- Measurement ambient temperature of L , DCR and IDC : at 25°C

